

Plastic Ring			
Size	Capacity	Margin	Color Available
6mm	20	2mm	White
8mm	40	3mm	Red
10mm	70	4mm	Blue
12mm	100	5mm	Yellow
14mm	120	6mm	Green
16mm	140	7mm	Black
19mm	160	8mm	Grey
22mm	200	8mm	Brown
25mm	240	8mm	Purple

Binding Cover (Difference size & color available)	
Style	Thickness
Transparency Cover	0.2mm
Semi-Transparency Cover	0.25mm
Plain Cover/Window Optional	230g

NIBO® BM9810 II A

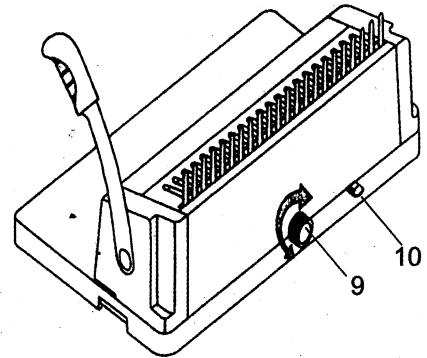
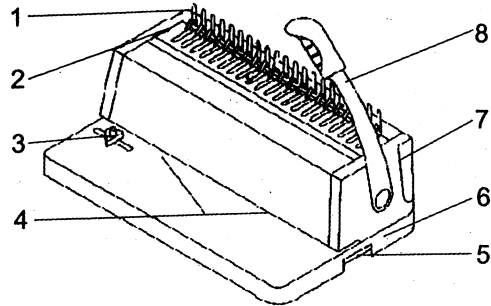
**MANUAL COMB
BINDING MACHINE**



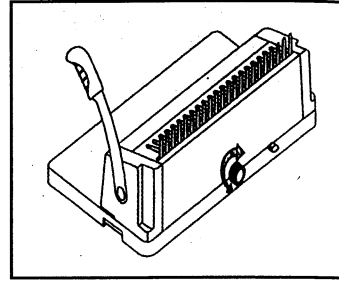
Specification

Binding Capacity-----240 Pages/25mm
 Every time binding thickness-----10 pages (70g)
 Blades cutting user life-----100,000 pages
 The adjustable paper width-----2mm-8mm
 Dimension-----367x250x150mm
 Net Weight-----4.2kg
 Paper Size-----Below than A4 paper (210x297mm)

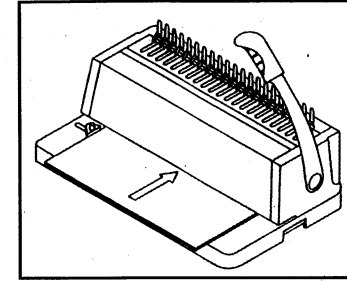
OPERATION PROCESS



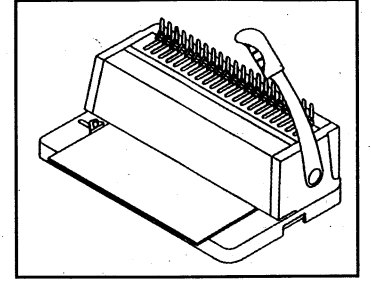
- 1. Comb
- 2. Stretcher
- 3. Paper Stop Guide
- 4. Paper Entrance
- 5. Wastepaper Tray
- 6. Base
- 7. Cover
- 8. Lever
- 9. Adjuster
- 10. Width Indicator



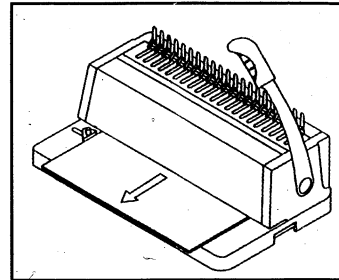
1. Turn the Adjuster to set the Paper margin



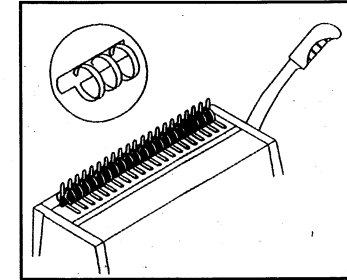
2. Keep the Lever vertically and adjust the Paper Stop Guide, then insert paper



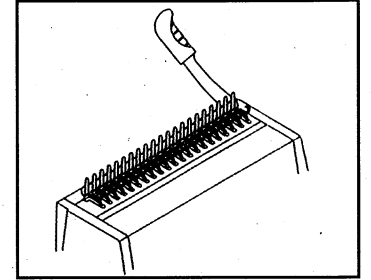
3. Slowly pull down the Lever to punch



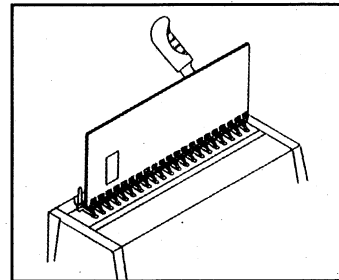
4. Put the Lever back to its initial position and remove the punched paper



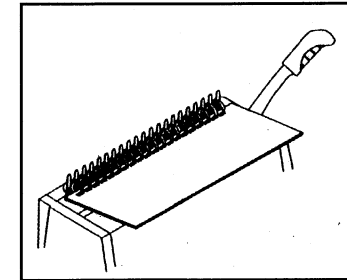
5. Put the plastic Rings behind the Comb with the openings to the top



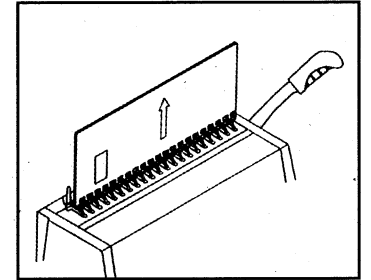
6. Push the Lever to the rear to open the Rings



7. Insert the paper vertically, the cover page first



8. Lay down the paper and return the Lever to a vertical position



9. Finally remove the band document

CAUTION

Please empty the wastepaper Tray regularly

Never open the PVC Rings too wide or too frequent

Punch no more than 10 pages together

Never alter the adjuster to exceed the limit of 2-8mm