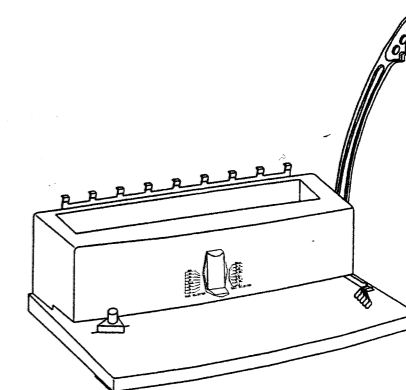
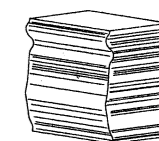
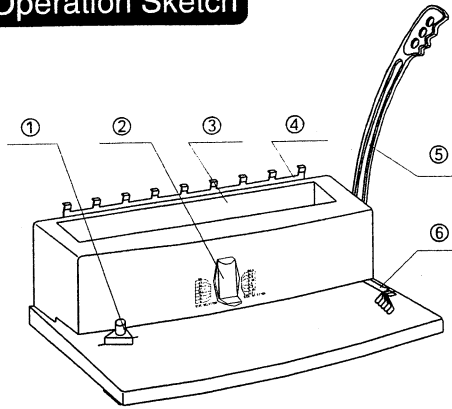


Iron Circle Binder

USER GUIDE



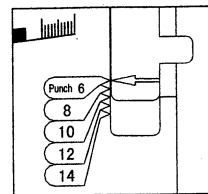
Operation Sketch



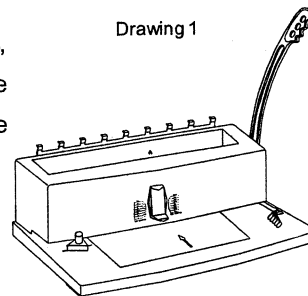
- ① fixed sheet
- ② coil selector
- ③ document support
- ④ coil hook
- ⑤ lever
- ⑥ coil select button

1. Place the coil select button in the hole position

and secure the arrow guide up to the trick. Then select the fixed sheet and placement of binding according to the document size, Insert the documents, Once completed the punch then release the lever. (see drawing 1,2)



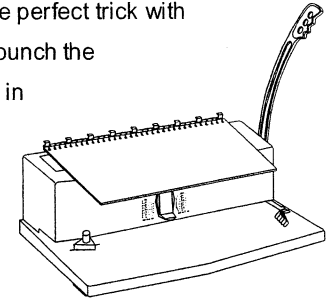
Drawing 1



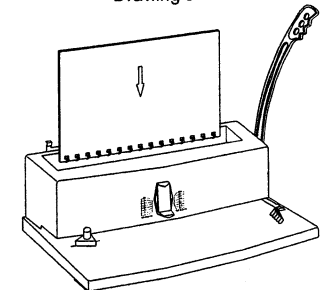
Drawing 2

2. Place the coil to the hook, Open towards up and hook towards operator (see drawing 3), insert the document before put into document support. Select the perfect trick with coil select button, punch the perforating lever in

completed the binding. (see drawing 4), At last, remember replace the coil select button to the hole position. (see drawing 1)



Drawing 3



Drawing 4

At a Glance Technical Guide

Description	Iron Bind CB200W
Punch capacity	15 sheets 70g
Punch plastic-cover	Less than 4 sheets (0.2mm)
Machine Dimension	418X178X276mm
Weight	6.5KG
Stiletto cutting capacity	>200,000
Binding width	297mm

Warning: To prevent the binding from blocking, remember to place the coil select button to the hole position. (See drawing 1)