

When the coin sorter shows '1' or '2' or '3' on the left of the display:

'1': it sorts and counts 0.05, 0.10, 0.25, 1.00, and only sorts 5.00,10.00.

'2': it sorts and counts 0.05, 0.10, 0.25, 1.00, 5.00.

'3': its sorts and counts 0.05, 0.10, 0.25, 1.00,10.00

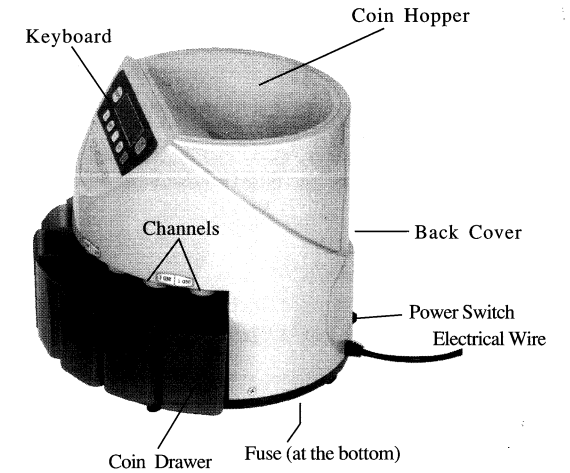
And keep pressing '+' for 7 seconds can convert the modes 1,2,3

WARNING!

For your safety, it is very important that you always follow the simple precautions as below: -

- Do not operate the machine if you, or it, are damp. Operating the machine under wet or damp conditions can lead to an electrical shock hazard that might result in serious injury.
- Use only the same type and rating when replacing a Fuse. Using an incorrect Fuse can cause a potential fire hazard if a higher rating Fuse is used.
- Ensure that both the machine and the domestic mains supply system are of the same voltage. An incorrect supply voltage could cause a potential fire hazard.
- Turn off and unplug the power before performing maintenance.
- Do not start the machine when the back cover is open;
- Do not put your fingers inside the hopper or channel when the machine is under operation.
- Turn off and unplug the power when long time no using.
- Should you have any doubts, please contact your local distributor, or sales agent, for further advice.

MACHINE OVERVIEW



SPECIFICATIONS

Ambient temperature	0°C~40°C
Ambient Humidity	30~80%
Hopper capacity	Max. 500 units
Each coins drawer	50~300units
Batch preset number display	3 Digits LED
Counting number display	4 Digits LED
Power source	AC220V/50HZ <input checked="" type="checkbox"/> AC110V/60HZ <input type="checkbox"/>
Power Consumption	<45W
Dimensions	345x306X260(mm)
Net weight	3.9kg
Counting speed	Max. 270 units/min

** In the interests of our ongoing policy of continual product improvement, specifications are subject to change without prior notice. ***

OPERATION

1. Make sure the machine is put on level and then turn on the machine.
2. Set an expected batch.
Each channel can be set an expected batch (from 0 to 999).
Press the "SET" key to select the channel, and the "BAT" key, "+" key and "-" key to set the expected batch number.

Notes 1: If some channel set the batch to 0, the machine will not stop this channel even the drawer is full, unless the “**START/STOP**” key is pressed or no coin drop through the channel within 20 seconds.

Notes2: Keep “-” key pressing in 7 seconds can set all the channels to batch 0.

Notes3: The batch setting can be automatically memorized.

3.Start counting

Put coins in the hopper, and press the “**START/STOP**” key to start counting. Press the **START/STOP** again to stop the counting.

4.Check the report

Press the “**REPORT**” key circularly when the machine in standby state can check the counting results of each channel. Press the “**C**” key can exit this checking procedure.

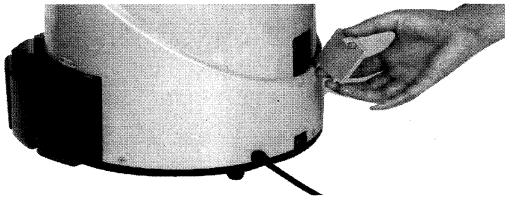
MAINTENANCE

WARNING!

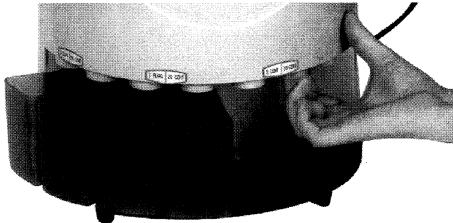
TURN OFF THE MACHINE AND UNPLUG THE POWER BEFORE THE FOLLOWING MAINTENANCE!

1.Foreign object falls into the hopper will cause jamming or even damage the machine! Please do avoid the foreign object falls in.

As following shown, to remove the foreign object, just open the back Cover and pick out the foreign object.

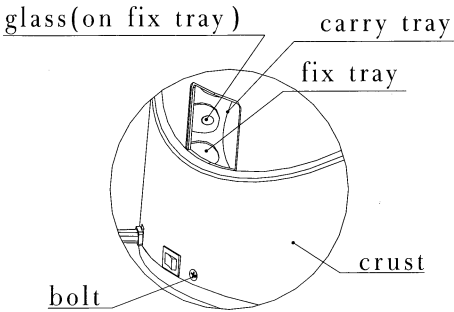


2.To remove the coin jamming, as following picture shown, use a finger to push up the jammed coin and let it fall out from the gap between the channels.



3.If the machine is switched on, the electron undergoes a test itself. It may results in one of the following error messages:

EA: Means optical sensor blocked: stop the machine and remove the back cover, then turn the carry tray by your hands, by outer light you can see the glass on top left corner, then clear the dust on the glass. Because there is too much dust on the glass and it affects the optical sensor work.



CLEAN GLASS

If the machine often appears EA, it may be due to working environment leading too much dust in the inner of the machine, to clean the inner parts of the machine. a: switch off the machine and cut down power. b: remove 3 bolts on the bottom of crust, remove the crust. c: clean dust, end to reset.

E1···E8 Means count sensor blocked.(According to the coin diameter from short to long range)

E9 Means running sensor blocked.

If it takes no effect after cleaning the inner parts as well as sensors, the machine needs repaired.



USER'S GUIDE

FOR ELECTRONIC COIN SORTER